



## Midi Basic

District heating substation for multi-family houses (10-30 dwellings)

Midi Basic is a complete, ready-to-install district heating substation for heating and hot water. Midi Basic is available in three sizes. The sizes offered are 70, 100 and 135 kW heating, with matching hot water output.

Alfa Laval has many years of experience in district heating technology, which is put to expert use in the Midi Basic, resulting in well-planned pipe-work and with all components easily accessible for inspection and future servicing.

### Comfort

Midi Basic has fully automatic temperature control for heating and hot water. The outside temperature is used to control heating. The hot water temperature is set and maintained at the desired temperature.

### Simple installation

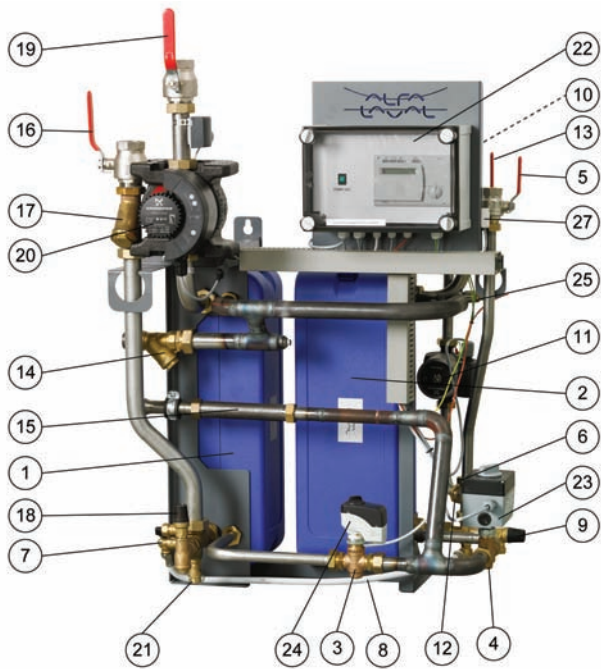
Compact dimensions, light weight, well-planned pipe runs and factory-installed interior electrical routing all make installation very simple. The pre-programmed control device and plug connection make life even simpler in that the system can be activated immediately.

### Long-term security

The Midi Basic represents the most modern technology, and provides the answer to stringent demands for long-term performance. The heat exchanger plates and all piping are manufactured in acid-resistant stainless steel. All components are closely matched and carefully tested for function in accordance with Alfa Laval's quality assurance system ISO 9001:2008.

Midi Basic is CE-marked to certify that the substation conforms to international safety regulations. To maintain the validity of the CE marking, only identical replacement parts may be used.

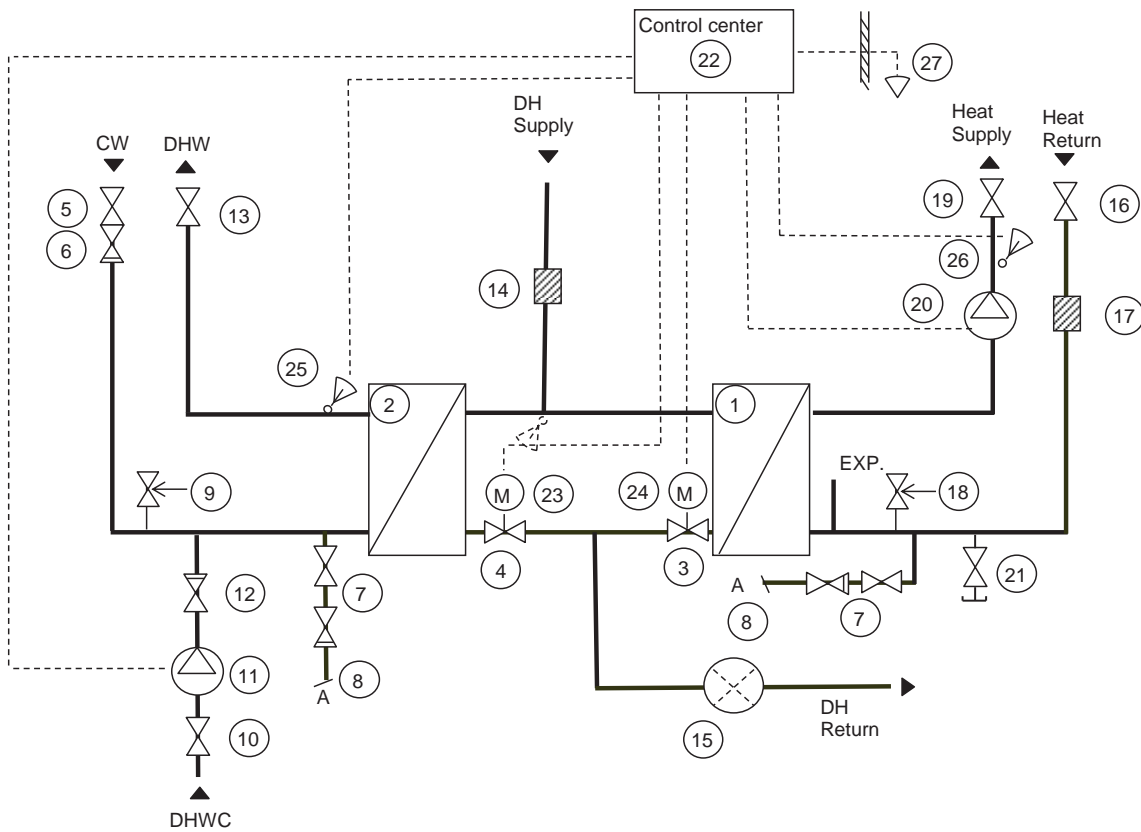




**Components**

1. Heat exchanger, heating
  2. Heat exchanger, DHW
  3. Control valve, heating
  4. Control valve, DHW
  5. Shut-off valve, CW
  6. Non-return valve, CW
  7. Topping up
  8. Hose
  9. Safety valve, CW
  10. Shut-off valve, DHWC
  11. Pump, DHWC
  12. Non-return valve, DHWC
  13. Shut-off valve, DHW
  14. Strainer, primary in
  15. Dummy, heat meter
  16. Shut-off valve, heating return
  17. Strainer, heating return
  18. Safety valve, heating
  19. Shut-off valve, heat supply
  20. Pump, heating
  21. Draining valve, heating return
  22. Control center \*
  23. Actuator, DHW \*
  24. Actuator, heating \*
  25. Temperature sensor, DHW supply \*
  26. Temperature sensor, heating supply \*
  27. Temperature sensor, outdoor \*
- \* Option

Connections for district heating are welded connections in DN25, for tap water side internal threaded connections in G 1" and for heating side internal threaded connections in G 1½".



## Operating data

	Primary side	Heating	DHW
Design pressure, PS	16 bar	6 bar	10 bar
Design temperature TS, °C	120	90	90
Relief pressure safety valve	-	3 bar	9 bar
Volume, heat exchanger, L	1.4-3.0 / 2.5-3.0	1.55-3.0	2.6-3.1

## Performance at available primary differential pressure 100-600 kPa

Type	Temperature programme (°C)	Capacity (kW)	Primary flow (l/s)	Actual return temperature (°C)	Secondary flow (l/s)
<b>Heating circuit</b>					
Midi Basic 70	100-63/60-80	74	0.48	62.5	0.89
	100-43/40-60	73	0.31	41.3	0.87
Midi Basic 100	100-63/60-80	119	0.77	62.2	1.42
	100-43/40-60	116	0.49	40.6	1.39
Midi Basic 135	100-63/60-80	139	0.90	62.1	1.66
	100-43/40-60	136	0.57	40.4	1.63
<b>Hot water circuit</b>					
Midi Basic 70	65-22/10-55	100	0.57	22	0.53
	70-22/10-55	158	0.81	22	0.84
	70-25/10-55	232	1.23	25	1.23
Midi Basic 100	65-22/10-55	122	0.57	22	0.54
	70-22/10-55	194	0.99	22	1.03
	70-25/10-55	282	1.50	25	1.50
Midi Basic 135	65-22/10-55	122	0.70	22	0.64
	70-22/10-55	194	0.99	22	1.03
	70-25/10-55	282	1.50	25	1.50

## Connections

Connections	Weld
District heating supply	DN25
District heating return	DN25

## Connections

Connections	Thread
Heating supply	G 1½"
Heating return	G 1½"
Cold water	G 1"
Hot water	G 1"
Hot water circulation	G 1"
Expansion vessel	G ¾"

## Other information

Electrical data: 230 V 50 Hz, single phase, 290-315 W
Sound level: <70 dB(A), 1.6 meters above the floor and 1 meter from the sound source
Dimensions: 800 x 570 x 1100 mm (W x D x H)
Weight: 65-85 kg
Support legs are included in all deliveries

## Options



3-point HB measurement



Underfloor heating thermostat

**How to contact Alfa Laval**

Up-to-date AlfaLaval contact details for all countries are always available on our website on [www.alfalaval.com](http://www.alfalaval.com)